

Patent Abstracts of Japan

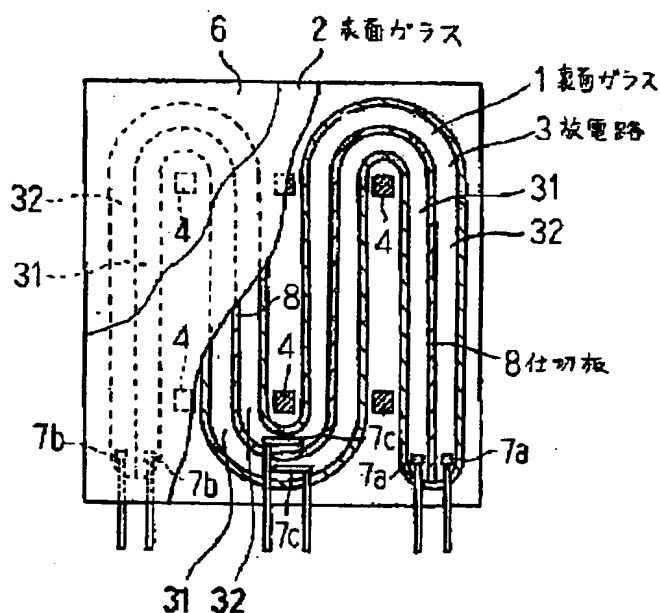
PUBLICATION NUMBER : 05242868
 PUBLICATION DATE : 21-09-93
 APPLICATION DATE : 28-02-92
 APPLICATION NUMBER : 04042744

APPLICANT : NEC KANSAI LTD;

INVENTOR : OKAJI SEIJI;

INT.CL. : H01J 61/92 H01J 61/30 H01J 61/54
 H05B 41/19

TITLE : SHEET-FORM LIGHT EMISSION TYPE
 DISCHARGE LAMP AND LIGHTING
 METHOD THEREFOR



ABSTRACT : PURPOSE: To provide a sheet-form light emission type discharge lamp which can make plane light emission uniformly without increasing the power consumption by structuring the discharge lamp so that a rear surface glass provided with a meandering recess and a front surface glass formed flat are sealed airtightly to form a meandering electric discharge path and that electrodes are installed at the ends of and in the curving part of the discharge path.

CONSTITUTION: An electric discharge path 3 is divided by a longitudinally stretching partition plate which is coated with a fluorescent film, and electrodes 7a, 7b, 7c are arranged at the ends of and in the central curving part of each discharge path segment 31, 32. To light up the discharge path, for example the electrodes 7a, 7b at the ends are given the identical polarity. and a high voltage is impressed over each of these electrodes and the one 7c in the center, and thus lighting-up is generated. After lighting up, a voltage is impressed over the two end electrodes 7a, 7b to maintain discharging while voltage impression on the electrode 7c in the center is stopped to generate the floating state.

COPYRIGHT: (C)1993,JPO&Japio